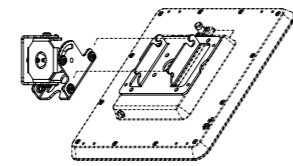


Wall mounting kit for the installation of Kathrein Solutions readers and antennas outdoors.

The type number for the suitable devices you will find at „Usable with the following devices“.

With the Mounting Kit 52010368 this kit can be extended to a wall/pole mount kit.



General Specifications

Order number	52010351	
Type	MK-WPM3-OSS	
Max. load-bearing capacity	[kg]	8
Adjustment range		
Elevation	[°]	±45°
Azimuth	[°]	±45°
Mechanical properties		
Weight	[kg]	1.1
Dimensions	[mm]	150 x 116 x 95
Degree of protection	outdoor	
Material		
Material	stainless steel	

Usable with the Following Devices

ARU Reader Series	Order number	Type
	52010348 52010349	ARU2400 ETSI ARU2400 FCC
	52010292 52010300	ARU3500 ETSI ARU3500 FCC
	52010340 52010341	ARU8500 ETSI ARU8500 FCC
RRU Reader Series	Order number	Type
	52010551 52010552	RRU1400 ETSI RRU1400 FCC
	52010288 52010296	RRU4500 ETSI RRU4500 ETSI
	52010289 52010297	RRU4560 ETSI RRU4560 FCC
	52010290 52010298	RRU4570 ETSI RRU4570 FCC
WRA Antenna Series	Order number	Type
	52010333 52010334	WRA7070 ETSI WRA7070 FCC
	52010335 52010336	WRA7070 ©KRAI ETSI WRA7070 ©KRAI FCC
	52010423 52010424	WRA6060 ETSI WRA6060 FCC
	52010583 52010584	WRA3070 ETSI WRA3070 FCC
Aluminium Backplates	Order number	Type
	52010398	SMSH-BP-ALU-34

Accessories, optional

- Mast clamp (order no. 52010368)
- For more information about accessories, go to <https://www.kathrein-solutions.com/products/rfid/rfid-accessories>.

Scope of Delivery

- 1 x wall bracket, premounted (8 screws DIN912-M6x14, wall mounting plate, universal joint, mounting plate)
- 1 x adapter plate
- 4x DIN912-M6x12 screws
- 4 x washers

Selecting the Installation Site

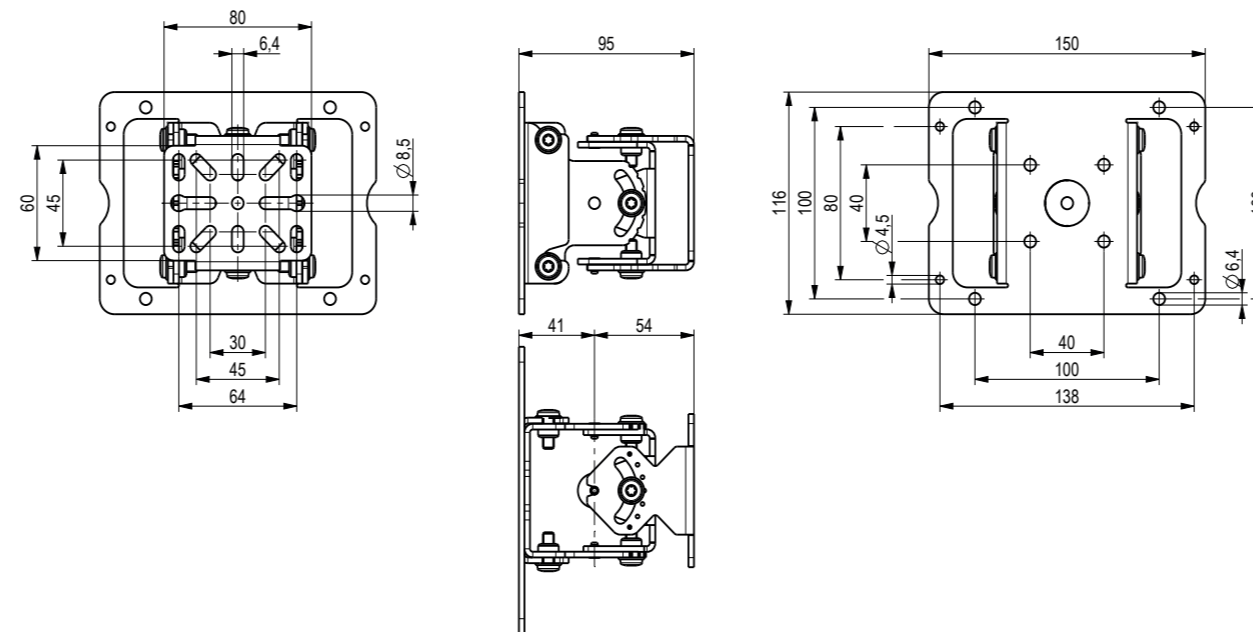


WARNING

Danger to life due to electric shock!

- ▶ Before drilling the holes, make sure there are no electrical cables in the wall.
- ▶ Make sure that the wall/mast have sufficient load-bearing capacity.
- ▶ Make sure to use suitable fastenings (not included in the scope of delivery).
- ▶ If necessary, reinforce the wall at the chosen installation location or use a different mast.

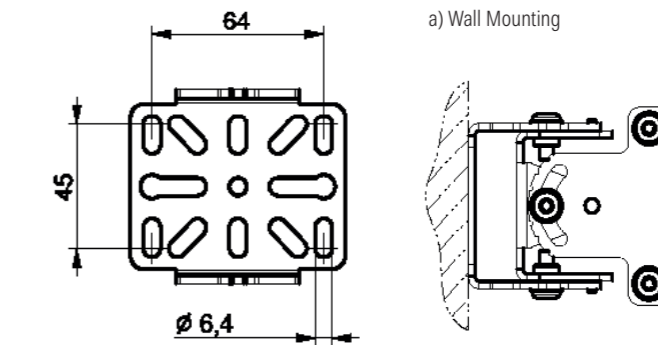
Dimensions [mm]



936675 /d/0917 | Subject to change.

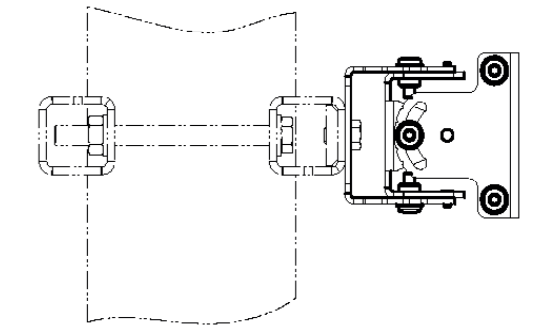
Mounting the Mounting Kit

1. Install the mounting kit in the installation location.

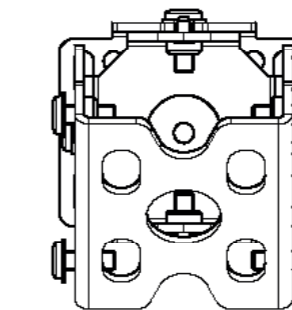


a) Wall Mounting

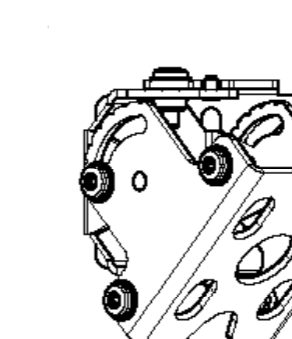
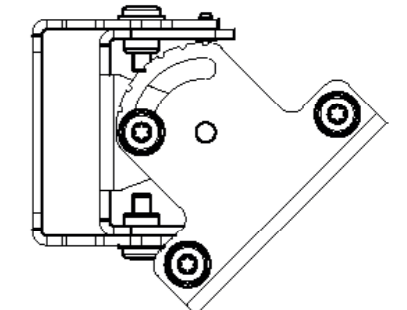
b) Pole Mounting with Optional Mast Clamp
(Order number 52010368)



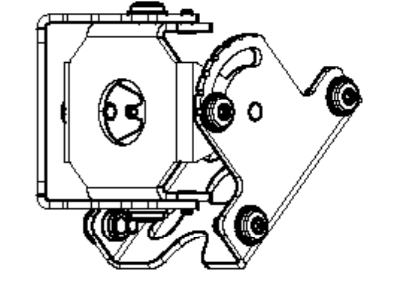
2. Set the inclination angle.



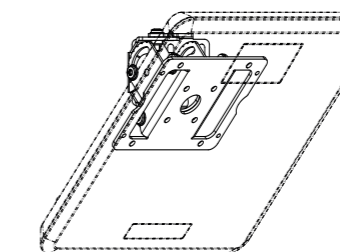
3. Lock the inclination angle by fastening the fixing screw.



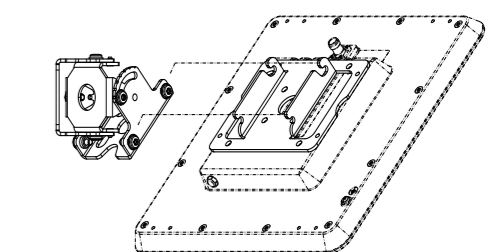
5. Lock the swivel angle by fastening the fixing screw.



6. Screw the devices and adapter plate together using the 4 screws and washers (included in the scope of delivery). The tightening torque is 5 N_m.



7. Insert the devices into the mounting kit and lock it.



936675 /d/0917 | Subject to change.

936675 /d/0917 | Subject to change.